



MINI Lux® - AUTOMATIC BAG SLITTER
TECHNICAL BROCHURE

COMPANY PROFILE

Luxme International Ltd. is a customer-oriented company which has extensive experience in solids handling systems.

The company operates primarily in manufacturing, mining, chemical, pharmaceutical and food industries. We engineer and manufacture complete systems to meet individual customer needs at very competitive prices.

Prior to delivery we invite our clients to witness the purchased equipment in operation at our manufacturing facility. They are given the necessary training to achieve the maximum potential from our products.

Luxme International's in-house development and research activities, together with our close collaboration with companies worldwide, allow us to maintain a competitive edge. The result is improved design and reliability in addition to technological innovation.

Luxme offers customers the opportunity of testing their product in our Tubular Chain Conveyors, Automatic Bag Openers, and other ancillary equipment manufactured by Luxme. The test laboratory is equipped with different loop arrangements with variable speed capabilities for each equipment while offering a dust free environment.

Different types of brush assemblies and valves are operational in closed loops, allowing the customer to view their product being recirculated and witness the end result. This provides the customer with an accurate method of determining conveying reliability and efficiency.

For the last 40 years Luxme products have received international recognition and today we enjoy global success.



Headquarters

	PAGE
COMPANY PROFILE	2
TABLE OF CONTENTS	3
AUTOMATIC BAG SLITTER	4
TEST FACILITIES	5
DIMENSIONS SHEET	6
TECHNICAL SPECIFICATIONS	7
SEQUENCE OF OPERATION	8
DESIGN & PERFORMANCE	9
INSTALLATIONS	10

This document or any part of it may not be reproduced in any form (Photocopy, Microfilm or any other means) without written authorization by Luxme International Ltd.

© 2018 Luxme International Ltd. All Rights Reserved.

AUTOMATIC BAG SLITTER

Standard Features

The MINILux® Automatic Bag Slitter incorporates the following unique features as part of our standard supply:

- » Infeed roller conveyor.
- » Retractable spikes, thrust into the bag, ensure that the bags are securely held in place on the wheel.
- » The Spike wheel is driven by an independent motor unit.
- » Slitting action of the blades provide shred-free opening of bags.
- » Following the bag slitting and gravity discharge cycle, empty bags are separated from the product.
- » All empty bags are extruded into a plastic waste receiving bag for dust-free compaction and disposal.

The MINILux® Automatic Bag Slitter has an enclosed designed and knives that open a great variety of bags in an efficient and dust-free manner.

OPTIONAL FEATURES

The following optional features are available:

- » Integral dust filter and exhaust fan
- » Automatic Infeed Belt Conveyor



Luxme International Ltd. offers customers the opportunity to perform system simulations, by conveying their materials, using Luxme manufactured products, that include: tubular chain conveyors, automatic bag slitters, clean-in-place systems, product blenders, and more.

These trials are conducted in a dust free environment. Tubular chain conveyors, cooling conveyor, clean in place (CIP) washing system and other ancillary equipments manufactured by Luxme are used to run tests with the customer's material. The test laboratory is equipped with different loop arrangements using variable chain speed capabilities on each piece of equipment. Different types of brush assemblies and valves operating in closed loops for lengthy recirculation gives an opportunity for the customer to witness the effects of their product being continuously conveyed for a period of many hours. Only one or two drums of product* is needed to run these tests. This provides the customer with an accurate method of determining conveying reliability and efficiency.

* Restrictions are applicable for toxic and hazardous materials.



Testing Options

The following testing options are available to our customers:

- 1 Conveying product in Luxme chain conveyors using different loops in closed circuit.
- 2 Product discharge via slide valve, drop bottom valve and drive assembly.
- 3 Chain and disc cleaning by drive assembly brush station and in-line brush station.
- 4 Product heating or cooling in Luxme tubular chain conveyors.
- 5 Wear tests on different types of conveyor discs establishing the disc life expectancy.
- 6 Mass flow measurements using impact flow measuring units.
- 7 Checking the effect of pneumatic and motorized chain knock-out for sticky products.
- 8 Checking the possibilities of product build-up inside pipe with customer supplied product.
- 9 Clean in Place (CIP) washing system and Clean-Trace ATP Swab testing.
- 10 Manual dump station and other Luxme parts and accessories.

TEST FACILITIES



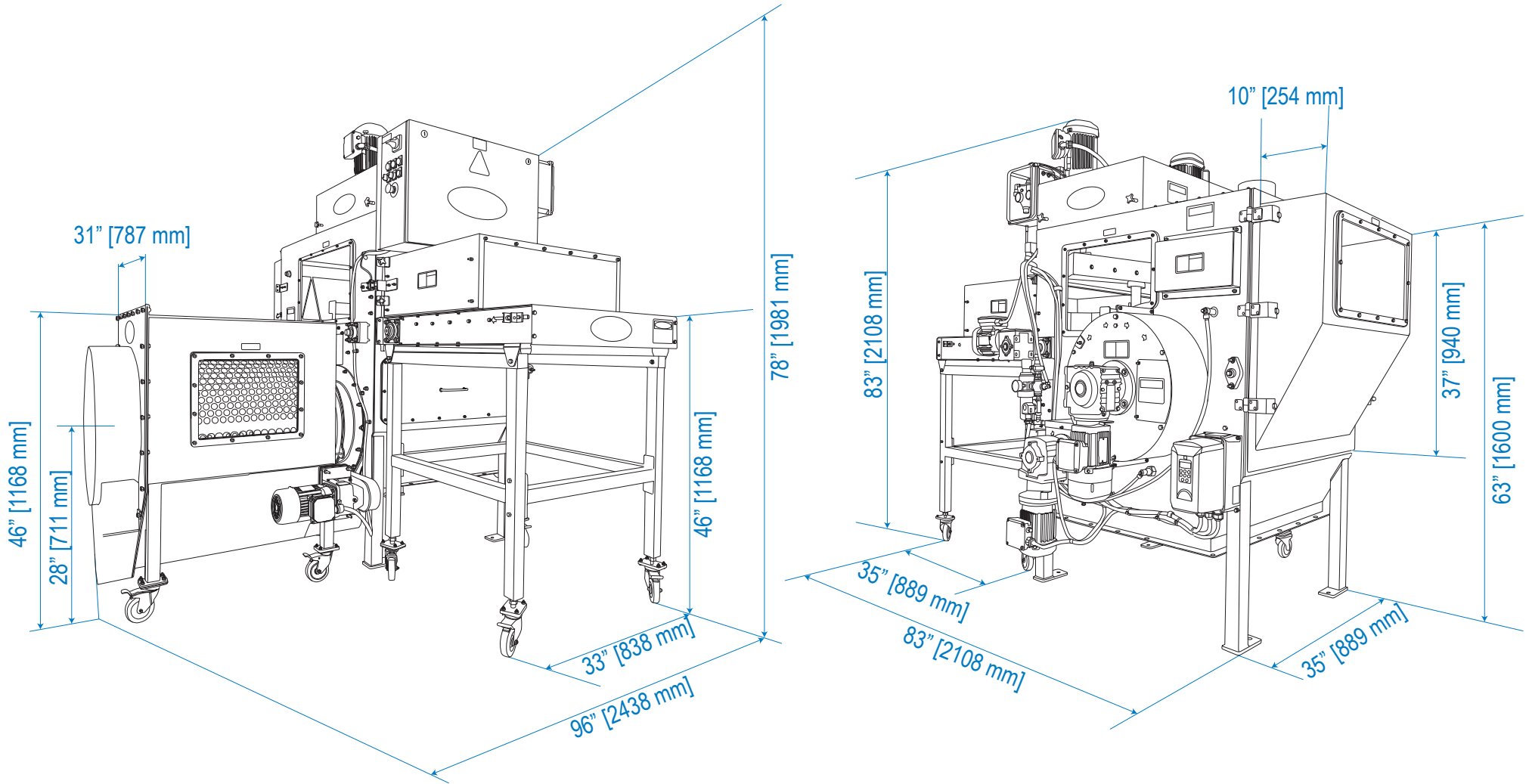
Test Facility



Clean-in-Place
Sanitary Test Facility
for Food Applications

DIMENSIONS SHEET

The MINILux[®] Automatic Bag Slitter has a compact design and is comprised of an infeed conveyor, bag emptying chamber, dust control unit (Optional) and waste bag disposal unit.



MINILUX[®] - AUTOMATIC BAG SLITTER

The MINILux® Automatic Bag Slitter has been designed to handle different types of bag sizes containing powder or granular materials of a dusty or noxious nature, within a fully enclosed system to prevent contamination.

TECHNICAL SPECIFICATIONS

- » **Maximum bag Size:** 20 in. wide x 36 in. long X 10 in. high

- » **Bag Weights:** 15 lbs to 50 lbs

- » **Bag Construction:** Multi-ply Kraft paper with plastic inner liners & Plastic bags

- » **Material Handled:** Loose powder and granular.

- » **Throughput:** 5 - 6 bags per minute

- » **Empty Bags:** 10 - 12 bags/foot for compaction and disposal waste bag

- » **Equipment Standards:** Manufactured in compliance with O.S.H.A., A.N.S.I., N.E.C., standards using North American parts and hardware



POWER CONSUMPTION

ELECTRIC MOTORS

H.P.

- » Spike Wheel ½

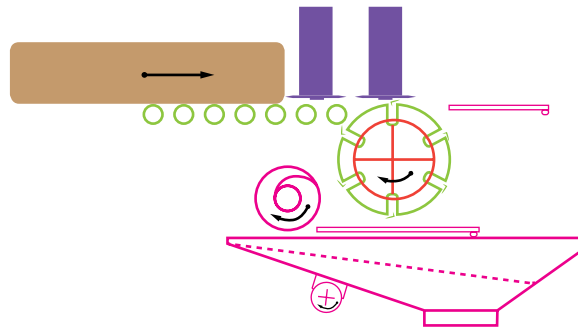
- » Rotatory Knives (Two) 1.0

- » Extruder for Compaction of Empty Bags ½ - 2.0



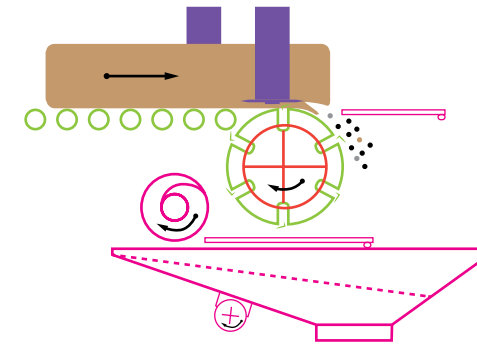
SEQUENCE OF OPERATION

To see our Automatic Bag Slitters in action, please visit our YouTube channel or our website!



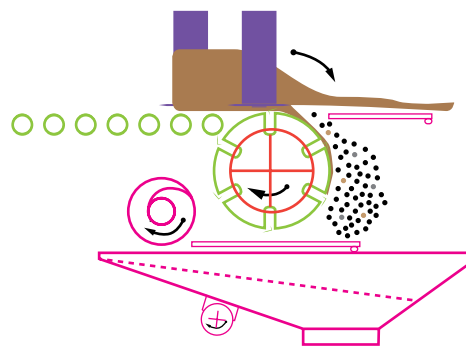
1 FEEDING

Operator/Robot loads the bags onto the infeed conveyor which conveys the bags to the retractable spike wheel where the bags are spiked and held in position during the sitting cycle.



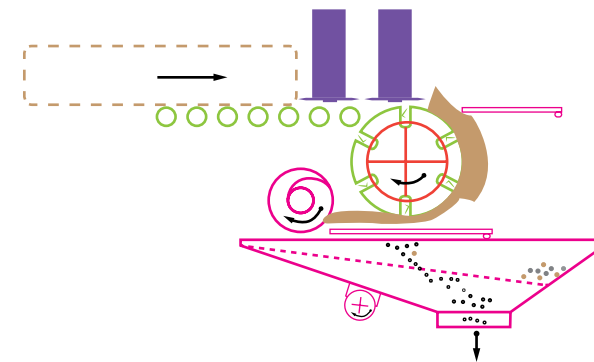
2 SLITTING

Two rotary cutting blades automatically adjust to the different bag sizes and neatly slit the bag on three sides for a thorough gravity discharge of the product.



3 PRODUCT DISCHARGE

The bottom of the bag is firmly held by the spikes and drawn around and under the spike wheel in one long sheet. In the process, the bag is turned inside out and the product discharged by gravity.



4 SIFTING AND COMPACTION

Any residue clinging from the bag is removed by a blast of air. Oversized foreign particles are sifted on a fine mesh screen in the collection hopper, which is vibrated at a high frequency. Spikes are retracted and the empty bag extruded via the compactor, into a dust-free, plastic waste receiving bag.

With a unique compact design, the MINILux® Automatic Bag Slitter can easily fit in most spaces while protecting the material from external contamination.

OVERVIEW

The MINILux® Automatic Bag Slitter offers:

- » Stainless steel construction and sanitary food-grade design.
- » Handles all types of bags, weighing 15 lbs. to 50 lbs., multi-ply Kraft paper bags inner lined with plastic and plastic bags.
- » A high frequency vibratory collection hopper with screen provides the action required to ensure complete sifting and discharge of product. The slitter is completely isolated from the vibratory hopper through a well engineered damping system.



BACK VIEW



FRONT VIEW

PERFORMANCE RELIABILITY

All Luxme products enjoy worldwide reputation for proven reliability as vouched for by customer preference. Complete systems with the machines and automated controls are engineered, manufactured, assembled at our facility and tested in the presence of purchasing officials before delivery.



TYPICAL INSTALLATIONS

The following installations depict several ways in which an MINILux® Automatic Bag Slitter can be design and adapted to a material handling application.



A MINILux® Automatic Bag Slitter can be complemented by a variety of ancillary equipment including bag elevators, bag compactors, bag conditioners, dust filters, bag brushes, among many others.

TYPICAL INSTALLATIONS





Better Engineering • Better Equipment • Better Value



T. 450 619-1999
E. info@luxme.com
A. 3155 Matte Blvd. Brossard, QC J4Y2P4

WWW.AUTOMATICBAGSLITTERS.COM